

**ADDENDUM #3**

**TO**

**SPECIFICATION AND CONTRACT DOCUMENTS**

**November 22, 2016**

TO: ALL PLAN HOLDERS

FOR: ITB-002-2017  
18” Water Main Project – Highway 100 A

The purpose of addendum #3 is to further clarify Question one (1) on Addendum 2.

**Contractor must acknowledge receipt of all addenda with bid proposal on the form provided herein.**

- 1) Please clarify if Item II: C. 18” MJ x MJ Gate valve Straight shaft is horizontal or vertical?

**Answer: Horizontal. An example of what we need is Mueller model A-2361 18” D.I. Resilient Wedge Gate Valve – with MJ x MJ ends or equivalent.**

**Please see attached example.**

No. 1 Dated \_\_\_\_\_

Signature: \_\_\_\_\_

No. 2 Dated \_\_\_\_\_

Signature: \_\_\_\_\_

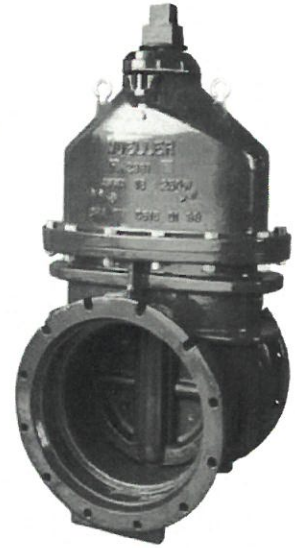
No. 3 Dated \_\_\_\_\_

Signature: \_\_\_\_\_

**THIS FORM MUST BE INCLUDED WITH BID PROPOSAL**

Rev. 7-16 Shaded area indicates changes

- Catalog number—  
**A-2361-20** Mechanical joint ends (with accessories unassembled)  
**A-2361-23** Mechanical joint ends (less accessories)
- Sizes – 14", 16", 18", 20", 24", 30", 36", 42", 48"
- Meets or exceeds all applicable requirements of ANSI/AWWA C515 Standard, UL 262 Listed, FM 1120/1130 Approved, and certified to ANSI/NSF 61 & 372
- Mechanical joint ends comply with ANSI/AWWA C111 Standard.
- Ductile Iron body and bonnet with nominal 10 mils MUELLER® Pro-Gard® Fusion Bonded Epoxy Coated interior and exterior surfaces; 42" and 48" valves coated with Mueller HP Epoxy
- Epoxy coating meets or exceeds all applicable requirements of ANSI/AWWA C550 Standard
- Ductile Iron wedge, symmetrical and fully encapsulated with molded rubber; no exposed iron.
- Non-rising stem (NRS)
- Triple O-ring seal (2 above the thrust collar and 1 below)
- 2" square wrench nut - open left or open right (30" - 48" require a Spur Gear or Bevel Gear)
- 250 psig (1725 kPa/17 barg) maximum working pressure; 500 psig (3450 kPa/35 barg) static test pressure
- 14" and 16" sizes – UL Listed, FM Approved: 250 psig (1725 kPa/17 barg)
- 18", 20" and 24" sizes – UL Listed: 175 psig (1200 kPa/12 barg)
- Mueller valves are designed for potable water applications



A-2361-23

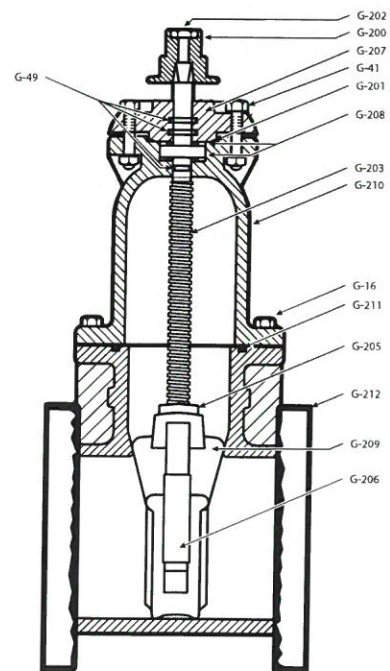
### Options

See page 10.46 for more information on Resilient Wedge Gate Valve options

- Position indicators
- ASTM B98-C66100/H02 stem: 14"-16", ASTM B763-C99500: 18" - 48"
- Bypass 16" - 48" (2" on 16"-20"; 2.5" on 24"; 3" on 30"- 36", 4" on 42"-48")
- EPDM Disc and o-rings, 14"-16" optional, 18"-48" standard
- Handwheel
- Stainless Steel Stem Type 304, Type 316
- Spur or bevel geared actuator
- Stainless steel fasteners: Type 304, Type 316

### Resilient wedge gate valve parts

Catalog Part No.	Description	Material	Material Standard
G-16	Bonnet Bolts & Nuts	Carbon Steel	SAE J429 (bolt) ASTM A563 (nut)
G-41	Stuffing Box Bolts & Nuts	Carbon Steel	SAE J429 (bolt) ASTM A563 (nut)
G-49	Stem O-rings (3)†	Nitrile	ASTM D2000
G-200	Wrench Nut Cap Screw	Carbon Steel	SAE J429
G-201	Stuffing Box O-ring†	Nitrile	ASTM D2000
G-202	Wrench Nut	Cast Iron+	ASTM A126 CL.B
G-203	Stem	Bronze	ASTM B138**
G-204	Hand Wheel (not shown)	Cast Iron+	ASTM A126 CL.B
G-205	Stem Nut	Bronze	ASTM B62
G-206	Guide Cap Bearings	Acetal	-
G-207	Stuffing Box	Ductile Iron++	ASTM A536 ▼
G-208	Anti-friction Washers (2)	Acetal	-
G-209	Wedge, Rubber Encapsulation	Ductile Iron* SBR‡	ASTM A536 ▼ ASTM D2000
G-210	Bonnet	Ductile Iron	ASTM A536 ▼
G-211	Bonnet O-ring †	Nitrile	ASTM D2000
G-212	Body	Ductile Iron	ASTM A536 ▼



\* Fully encapsulated in molded rubber with no iron exposed

\*\*18" - 48" ASTM B584

†18" - 48" EPDM standard

++30"-48" are hot rolled steel ASTM A36

+ Manufacturer's option to change material to Ductile iron ASTM A536

▼ Material strength ASTM A536 65-45 minimum