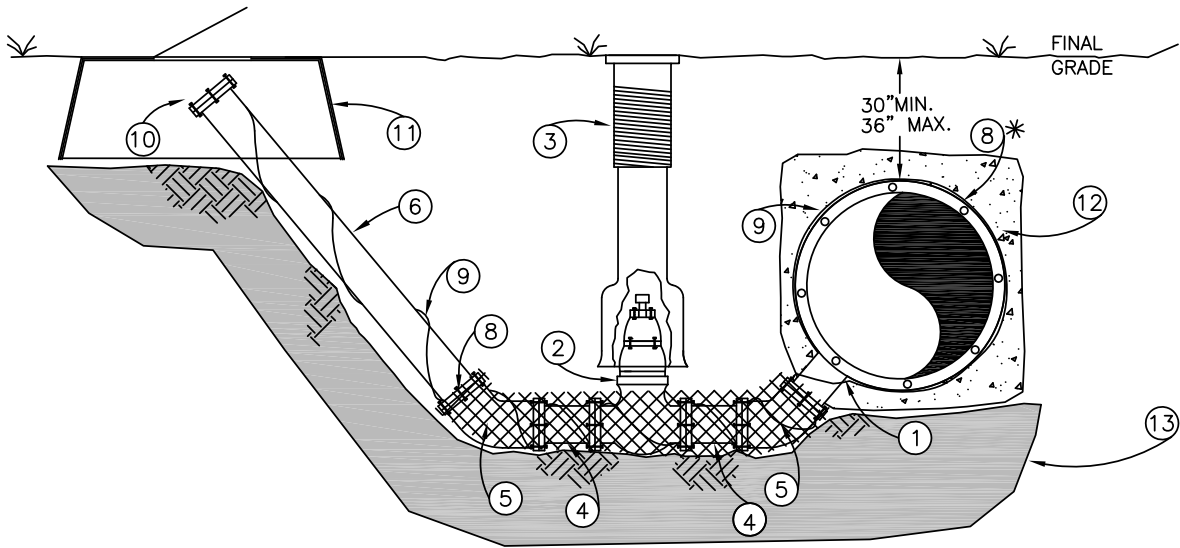

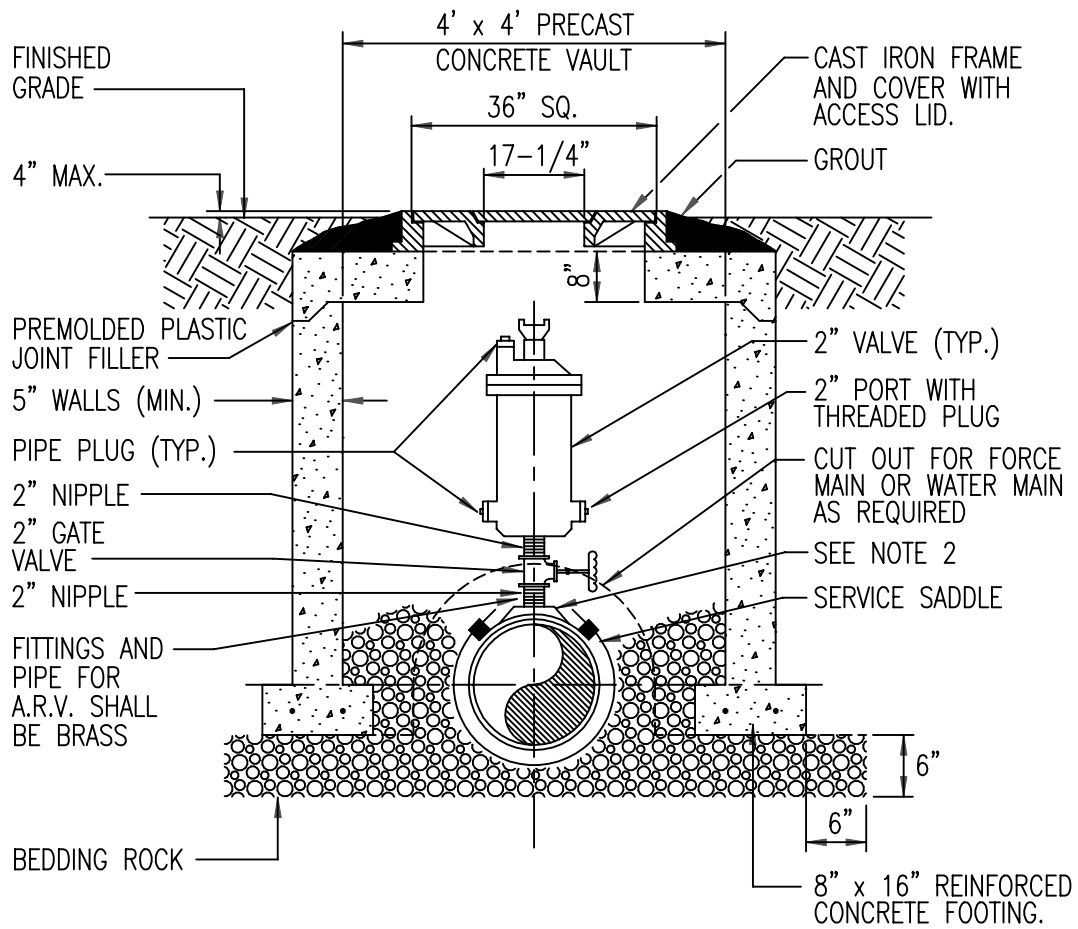


*UNLESS SUFFICIENT PIPE EXISTS UPSTREAM & DOWNSTREAM TO PROVIDE RESTRAINT



M A T E R I A L S		
ITEM	DESCRIPTION	
1	12", 16", 20", 24" X 6"	MJ ANCHORING TEE WITH EBAA MEGALUG RESTRAINT
2	6"	VALVE, GATE, MJ, RESILIENT WEDGE
3		VALVE BOX, C.I.
4	6" X 16" or 72" (PER FIELD CONDITIONS)	ANCHORING COUPLING, MJ x MJ SOLID x SWIVEL
5	6" X 45'	BEND, MJ x MJ
6	6" X VARIES	PIPE, D.I.P.
7	VISQUEEN	8 MILS THICKNESS (MIN.) or FELT 15 lb (MIN.)
8		EBAA MEGA LUG MECHANICALLY RESTRAINED GLAND
9		TRACER WIRE, COPPER, BLUE INSULATED, #10 AWG
10	6"	CAP, D.I., MJ, EBAA MEGALUG
11		METER BOX
12		CONCRETE, THRUST BLOCK (2500 psi)
13		UNDISTURBED EARTH

Revision Date: 2/13/2012		City of Lake City Utilities Potable Water Construction Details 6" BLOW-OFF ASSEMBLY
-----------------------------	---	---

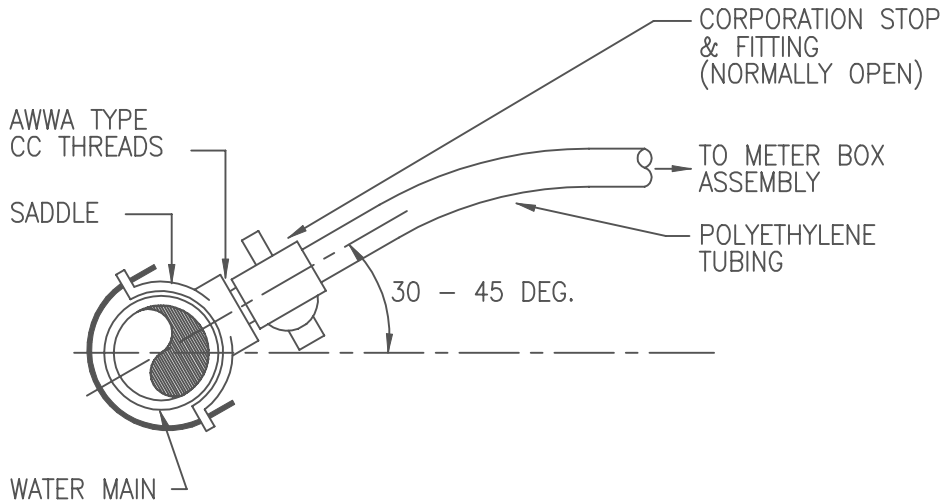
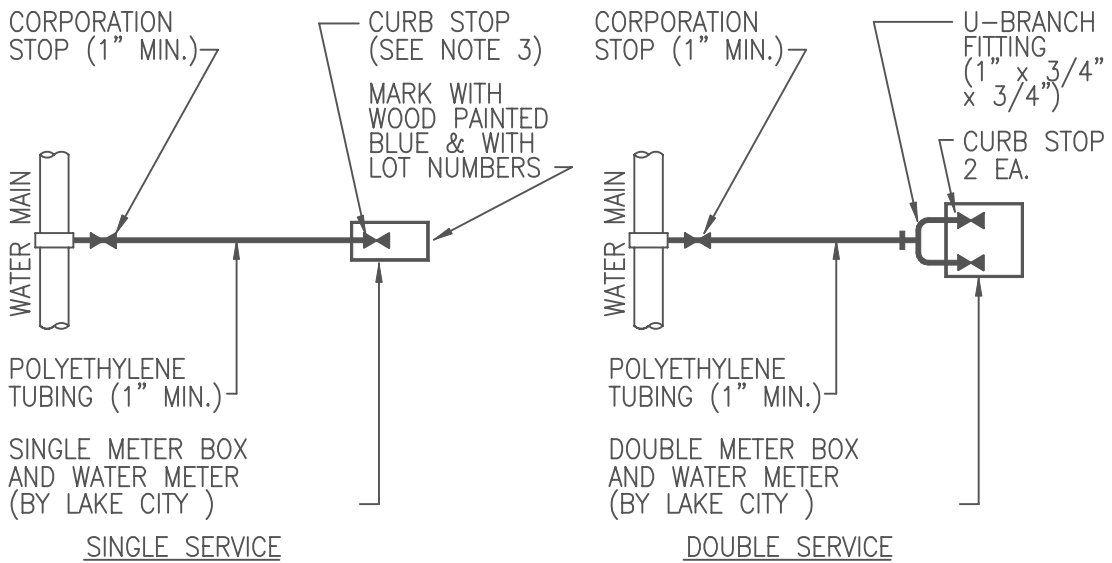


NOTES:

1. ABOVE DETAIL IS BASED ON 2" COMBINATION AIR/VACUUM RELEASE VALVE. CHANGE PIPE AND FITTINGS ACCORDINGLY FOR OTHER VALVE SIZES AND TYPES. VALVE SIZES TO BE DETERMINED BY THE ENGINEER AND APPROVED BY THE CITY PRIOR TO INSTALLATION.
2. THE MINIMUM DIMENSION FROM TOP OF PIPE TO FINISHED GRADE SHALL BE 4.0 FEET.

Date	Revisions	Appr. by

CITY OF LAKE CITY			
AIR OR COMBINATION AIR/VACUUM RELEASE VALVE DETAIL			
Date: Sept. 1996	Scale: N.T.S.	Dwg: Q109	Fig: 109



NOTES:

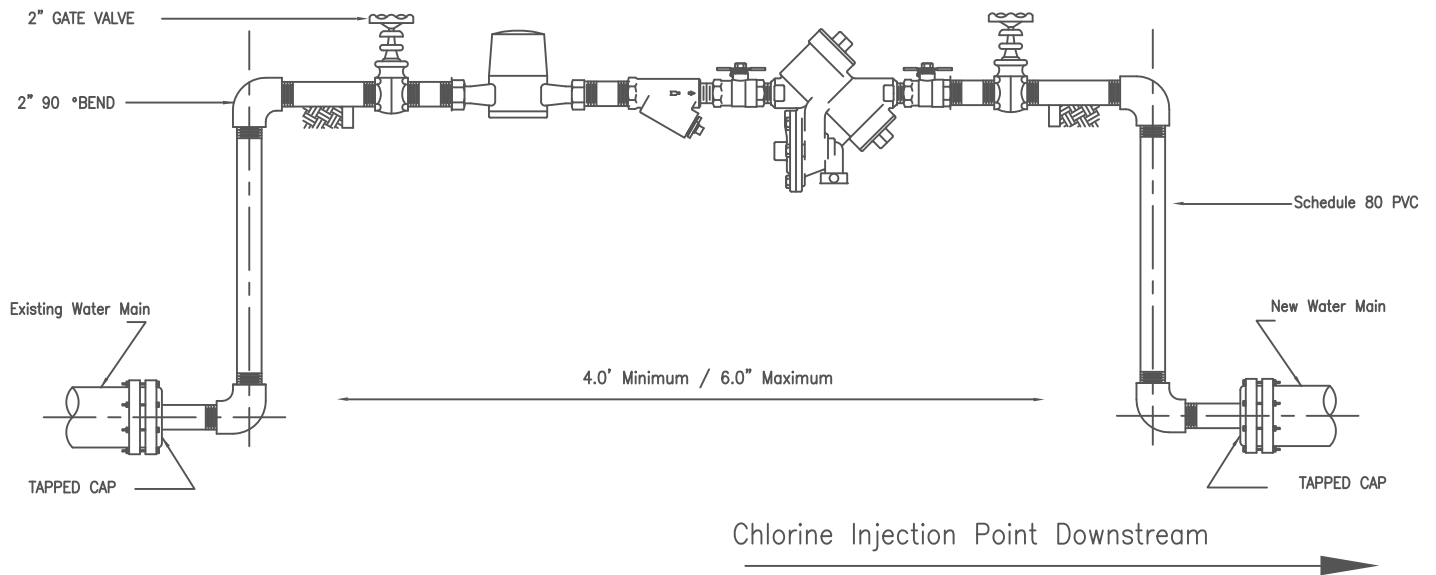
1. ALL FITTINGS SHALL BE BRASS WITH COMPRESSION/PACK JOINT TYPE CONNECTIONS.
2. NO SERVICE LINE SHALL TERMINATE UNDER A DRIVEWAY.
3. EACH SERVICE SHALL TERMINATE AT A CURB STOP(S) WHICH SHALL BE BURIED APPROXIMATELY 3" BELOW FINAL GRADE AND SHALL BE CLEARLY MARKED WITH A 2" X 2" X 18" STAKE WITH THE TOP PAINTED BLUE AND MARKED WITH THE NUMBER OF THE LOT(S) TO BE SERVED.
4. INDENT CURB WITH "W" AT EACH WATER SERVICE LOCATION

Date	Revisions	Appr. by

CITY OF LAKE CITY			
WATER SERVICE CONNECTION DETAILS			
Date: Sept. 1996	Scale: N.T.S.	Dwg: Q405	Fig: 405

Reduced Pressure Backflow Preventer Assembly
(Provided by Contractor)

Assembly Must Comply with AWWA M-14 Standards



NOTES:

1. FINAL CONNECTION TO BE WITNESSED BY LAKE CITY UTILITIES INSPECTOR
2. INSTALL JUMPER TAP SYSTEM FOR TEMPORARY METER DOWNSTREAM OF BLIND FLANGE FOR CONSTRUCTION WATER
3. TAPPING SADDLES MAY BE EITHER STAINLESS STEEL OR DUCTILE IRON.
4. JUMPER ASSEMBLY MUST BE MINIMUM OF 18 INCHES ABOVE FINISHED GRADE.
5. BACKFLOW ASSEMBLY REQUIRES INITIAL CERTIFICATION BY CERTIFIED BACKFLOW TESTER.
6. THIS ASSEMBLY SHALL ONLY BE USED IF NO COMBUSTIBLES WILL BE ON SITE. IF COMBUSTIBLES ARE BROUGHT ON SITE, THEN THE TEMPORARY BACKFLOW PREVENTERS AND FIRE PROTECTION METER TIE-IN ASSEMBLY WILL BE USED.
7. THIS ASSEMBLY IS NOT APPROVED TO PROVIDE FIRE PROTECTION WATER TO THE SITE DURING CONSTRUCTION. ASSEMBLY NOT TO BE REMOVED AND SPOOL PIECE INSTALLED FOR FINAL CONNECTION UNTIL AFTER TESTING, BACTERIAL CLEARANCE, FINAL INSPECTION AND CITY ACCEPTANCE.
8. GAP CONFIGURATION TO BE INSTALLED WITHIN 24 HOURS OR LESS AT THE DISCRETION OF THE WATER DISTRIBUTION DEPARTMENT

Date	Revisions	Appr. by

CITY OF LAKE CITY			
Jumper Connection Detail			
Date: Feb. 2010	Scale: N.T.S.	Dwg: Q501A	Fig: 501A