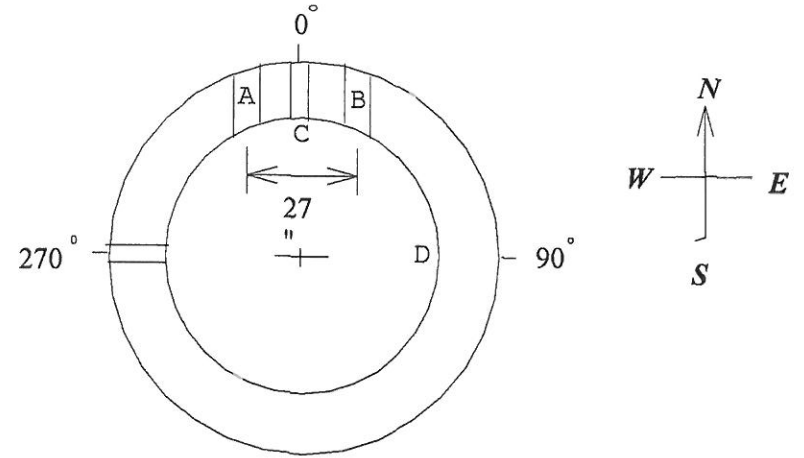
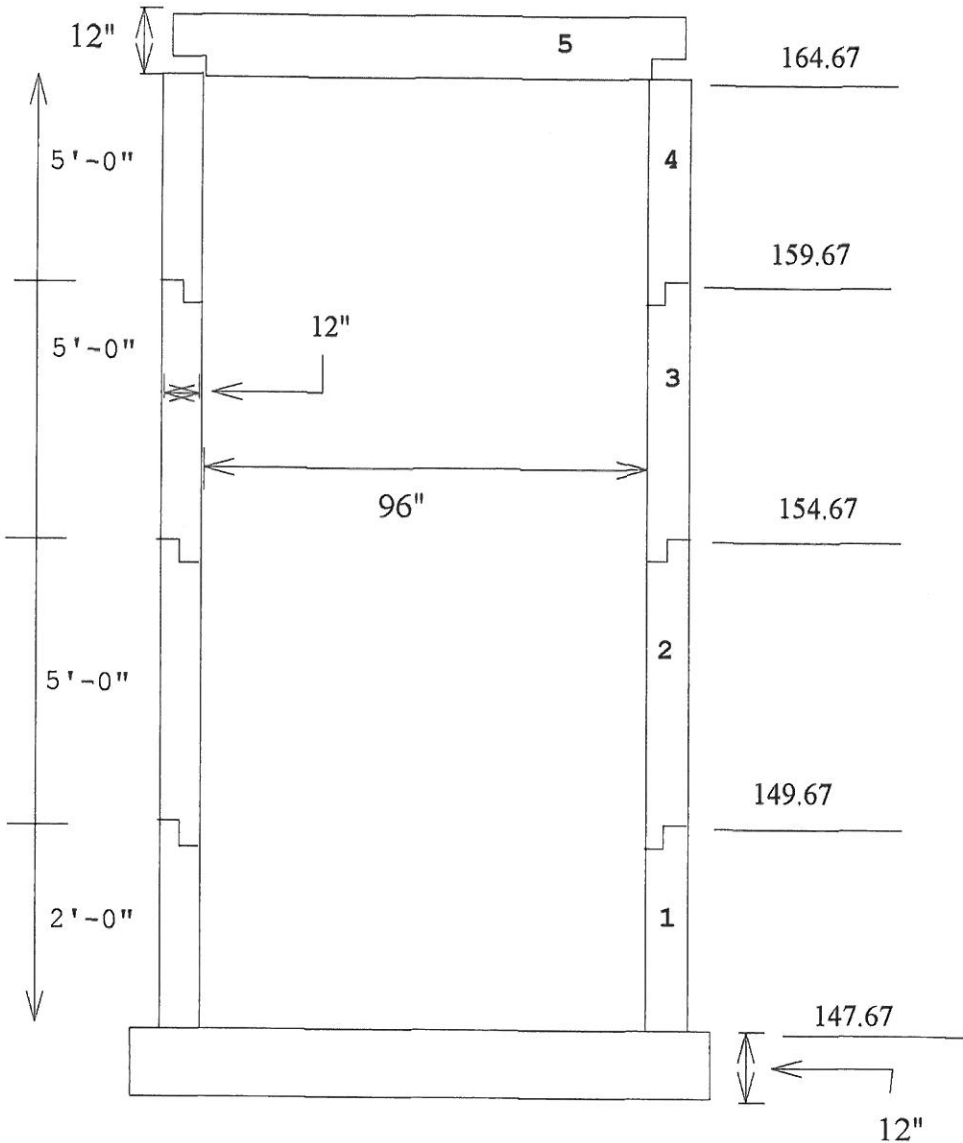


LIFTSTATION NO. 00
 LOCATION: Gum Swamp Rd
 and US 441
 DATE: 05/22/2012
 City Supplied

Notes: Interior & Exterior -
 Farbertite.
 Double Ram-Nek



Note	PC #	Description	Weight	Ship Date
I	5	Top Slab	7,632	
II		Riser		
III	4	Riser	15,400	
IV	3	Riser	15,400	
V	2	Riser	15,400	
VI	1	Base / w Riser	21,740	

Degree	Pipe Size	Pipe Invert	ID	Hole Size	Hole Invert	PC# ID	Hole Raise
0	4"	0.00	A	12"	14.41	4	29"
0	4"	0.00	B	12"	14.41	4	29"
0	2"	0.00	C	7"	12.95	4	11"
270	4"	0.00	D	12"	16.25	4	51"
*	0"	0.00	E	0"	00.00	0	0"